



USER MANUAL



TWO-SECTIONED EXAMINATION TABLE

For model
011-8441

NOTE!

The operator must read the user manual carefully BEFORE the product is used, to avoid unnecessary risks to the patient and operator.

TABLE OF CONTENTS

Foreword

Warranty

Important information

1. Function Description

1.1 General description

2. Operation

2.1 Connection

2.2 Height adjustment

2.3 Adjustment of the middle pad

2.4 The castors

3. Maintenance & Cleaning

3.1 Routine check-ups

3.2 Cleaning

3.3 Lubrication scheme

3.4 Spare parts

3.5 Solutions for lubrication, cleaning and disinfecting

4. Technical specification

4.1 Dimensions

4.2 Motors and control units

4.3 Battery backup

4.4 Labels

5. EU-Declaration of Conformity

6. Contact details

FOREWORD

Welcome as the owner of a product manufactured for Tarsus by Sjöbloms Sjukvårdsutrustning AB. We hope that you will be pleased and satisfied with our quality product.

If a problem should arise with this or any of our products, you are always welcome to contact us, and our service department will assist you with the expertise needed to solve the problem.

The user manual contains all the information needed to use, maintain and service the product. The document is continuously updated as the products are modified. Therefore we reserve against possible changes in the user manual.

WARRANTY

Sjöbloms provides a two-year warranty for material, design and manufacturing defects, provided the products are not subjected to tampering or excessive wear. For the guarantee to apply, the product must have been used in accordance with the user manual, and the maintenance performed as specified.

IMPORTANT INFORMATION

This product is intended for professional medical use. The user manual should be read carefully before using the product, to avoid unnecessary risks for the patient and operator.

The user manual contains warnings where there is a risk of personal injury, which should be noted. Improper handling can be fatal.

A warning triangle is shown where particularly important information can be found.



Warning triangle

1. FUNCTIONAL DESCRIPTION

This product is meant for professional use in health care, for examination of the patient.

It is designed to be a functional and user-friendly tool for the operator and patient.



Note that the product must only be used by competent health professionals who read the user manual, for correct handling.

General description

3-sectioned xray table, electrically adjustable, chromium-plated or coated all-welded steel tube chassis. The cushions are stuffed with foamed plastic and upholstered with imitation leather.

125mm swivel castors, two lockable, one directional locking.

2. OPERATION

2.1 Connection

The plug should be connected to a grounded 230V outlet. The product is now ready for use.

2.2 Height adjustment

Motors from both the manufacturers we purchase from, is shown below.



Electric, hand control
(standard)

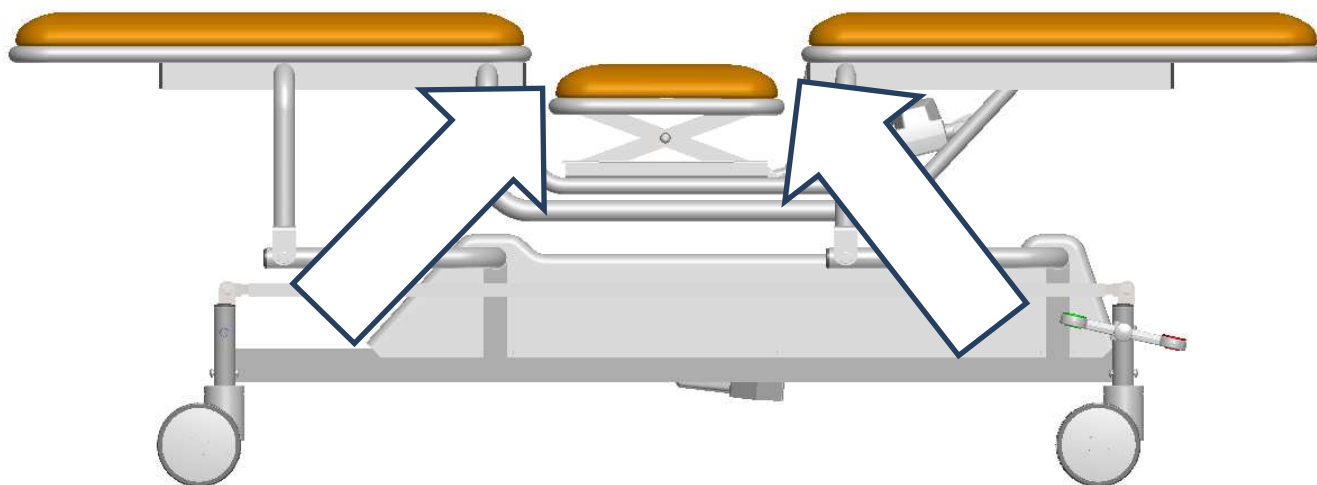


Follow the symbols and arrows to regulate the couch.



Ensure that no unauthorized persons are in the couch's working range, as a pinch hazard exists when raising and lowering the product.

2.3 Adjusting the middle pad



Elektrisk, handkontroll



Följ pilarna för att reglera britsen upp och ner.



Varning!

Se till att inga obehöriga befinner sig inom britsens arbetsområde, då klämrisk föreligger vid höjning och sänkning av britsen.

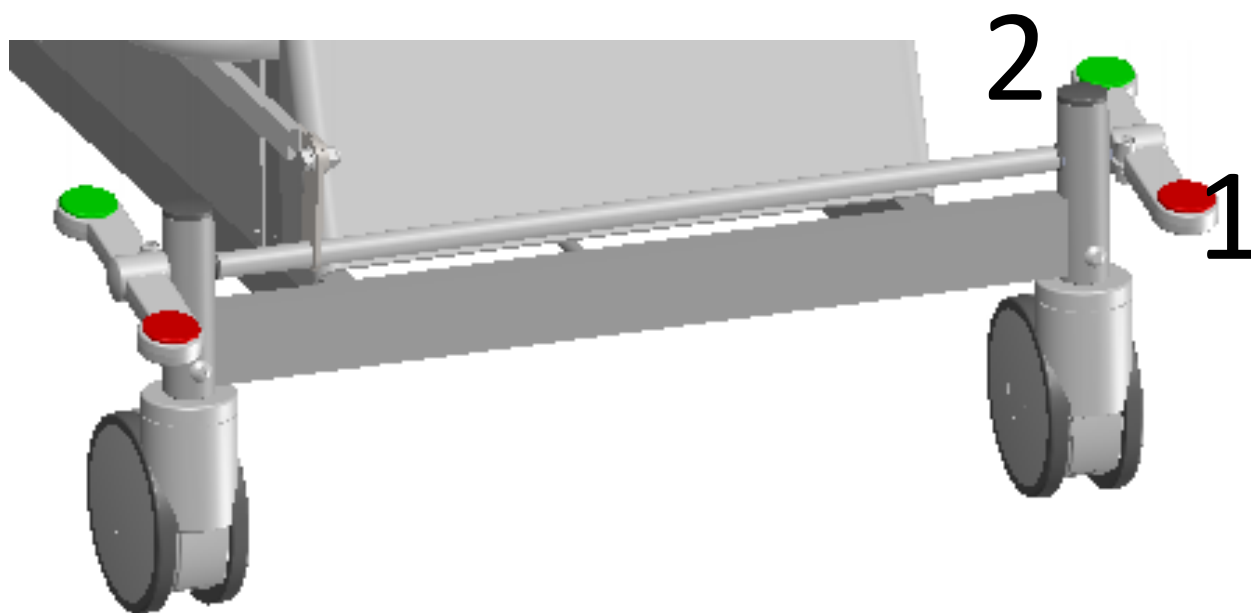
Var särskilt uppmärksam vid reglering av mellandynan (se pilar).

Obs! Placera heller inga saker i utrymmet som visas nedan, då klämrisk förekommer.



2.4 The function of the castors

125mm central-locking castors, with directional locking device.



1. Press red to lock all castors.
2. Press green to unlock all castors.

3. MAINTENANCE & CLEANING

3.1 Routine check-ups

Routine check-ups should be made to ensure proper functionality.



Important!

Failure to perform the following routine can cause the patient and/or operator to be exposed to unnecessary risks and the couch may have a reduced life expectancy. Please check all functions and parts on a regular basis.

Check the following:

- Any unusual sounds.
- Gas spring functions.
- Castors and castor locking mechanism.
- On electric tables:
 - Damages to electric cables.
 - The motor functions.
- That joints and fittings are lubricated according to the lubrication chart.

3.2 Cleaning

Cleaning of imitation leather

During normal cleaning, warm water and a mild soap solution should be used, or our own “Cleaning solution for artificial leather”, **art no. R-1**. Stronger cleaning agents should be avoided whenever possible.

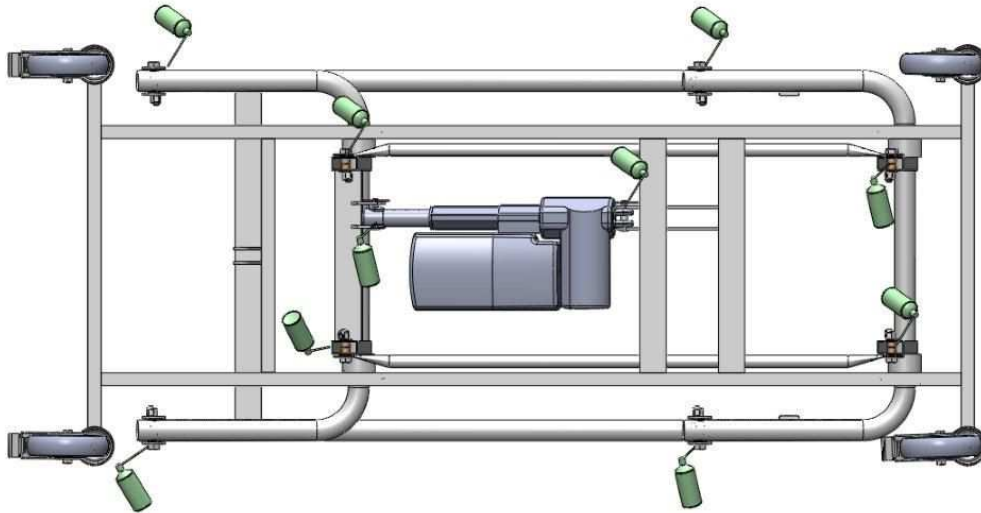
If it nonetheless becomes necessary to use stronger agents, it is important to wipe with a damp cloth.

Disinfection

If the product needs to be disinfected, use a diluted alcohol solution or our own “DAX Ytdesinfektion”, **art no. C068**. Too strong an alcohol solution can have a drying effect, which means that the imitation leather's properties deteriorate and cracks can form.

3.3 Lubrication

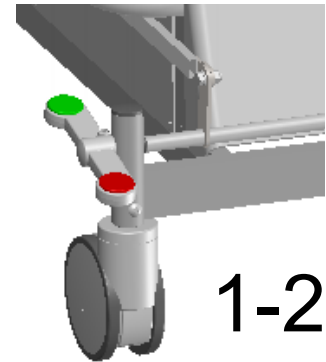
Lubrication according to the scheme should be performed every 6 months or as needed.



1. First lock the castors.
2. Enlist the help of another person and tip the couch on the side, in order to lubricate the moving joints.

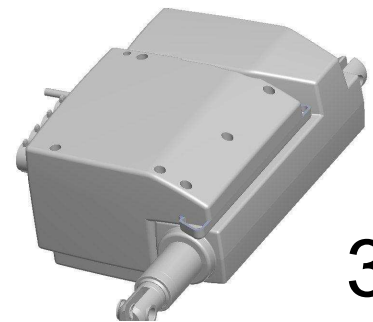
The spray can in the pictures above indicates where to lubricate. Use the Tarsus lubrication oil or the equivalent for best results, **article no. 5557001**.

3.4 Spare parts



1-2

No.	Art no.	Item
1	125601500T2LPV	Castor, double-braked
2	125601500T3LPV	Castor, directional locked
3	343100+0015004A	Motor LA34
4	312100+1110004C	Motor LA31
5	CB9140AE3+000F0	Control box
6	CB9140AE3+000F0	Hand control



3, 5



4



6

3.5 Solutions for lubrication, cleaning and disinfecting

R-1, Cleaning solution for artificial leather

5557001, Lubrication

C068, Disinfection solution, DAX Plus



Cleaning solution



Lubrication



Disinfection

4. TECHNICAL SPECIFICATIONS

4.1 Dimensions

Length: 195 cm

Length of middle section: 35 cm

Width: 70 cm

Height: 53-91 cm

Weight: ca 65 kg

Max working load: 200 kg

4.2 Motors and control units

The motors comply with EMC directives in accordance with standard EN 60601-1-2.

At full load, the motors can be used a maximum of 6 minutes/hour. The actuator manufacturer guarantees at least 10 000 cycles performance.

Control units

Max. usage time 10% or 6 min/h at continuous operation. Complies with directives in accordance with standard EN 60601-1.

4.3 Battery backup

(optional)

General

The batteries used in the control unit are sealed lead batteries.

The included power cord should be plugged into an electrical outlet with 230 volts. The charger will recharge the battery in less than 12 hours. The charger can safely be connected for charging for extended periods.

If a battery is not used for a long time, it will gradually lose its stored energy. It is therefore recommended that the batteries are recharged at least 8 hours before usage.

Battery life

Battery life depends on several factors including the extent of discharging. If the battery is discharged too extensively between charges the lifespan will be reduced. Charging as often as possible is recommended.

The built-in buzzer "Charge the battery" that is built into the controller will sound when a discharge of 50% has occurred.

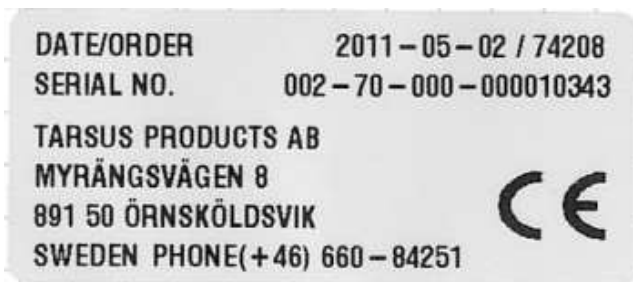
The life expectancy of the batteries is about 500-1200 charge cycles.



NOTE!

When the battery is depleted, the battery should be brought to a battery collection, if applied in your country, to conserve the environment.

4.4 Labels on the product



The CE label contains the date, order number, serial number and our contact information.



Maximum loading capacity is 200 kg.



Displays warning for risk of crushing between the pads of the middle section.

5. EU-DECLARATION OF CONFORMITY

EU-DECLARATION OF CONFORMITY

according to MDD 2007/42/EC including Appendix
and according to CE-marking Directive 93/68/EEC

Type of equipment: X-ray table, electric

Manufacturer: Sjöbloms Sjukvårdsutrustning AB

Trademark: Tarsus

Model: 011-8441 Product registration number: 13959

The appendix contains documents that have been applied for verification of compliance.

Manufacturer

Sjöbloms Medical Equipment AB

Myrängsvägen 8

S-891 50 ÖRNSKÖLDSVIK

Additional Information Directive for Medical Technical Products

The product complies with the harmonized standards, other standards and technical specifications listed in the appendix.

Sjöbloms works in accordance with SS-EN ISO 9001:2000 and is second-party certified for this standard, which ensures consistency between the manufactured product and the technical documentation.

As a manufacturer we can ensure under our own responsibility that the product complies with the directives listed above.

Örnsköldsvik 2011-06-22



Karl-Gunnar Sjöblom
Production Manager

**Appendix to
Declaration of Conformity**

The following harmonized standards have been applied:

Standards	Date	Listing
SS-EN 60601-1 C1	2010-05-06	
SS-EN 60601-1-2 C1	2010-05-06	

The following company standards or other technical specifications have been applied:

Standards	Date	Listing
LVFS 2009:18	2009-10-08	Relevant requirements of the law on medical technical devices

6. CONTACT INFORMATION

TARSUS

Myrängsvägen 8
891 50 Örnsköldsvik
Sweden

Tel: +46 660 105 80

Fax: +46 660 180 00

E-mail: info@tarsus.se

Web page: www.tarsus.eu