



USER MANUAL



BLOOD SAMPLE CHAIR, ELECTRIC

For model
010-5050

NOTE!

**The operator must read the user manual
carefully BEFORE the product is used,
to avoid unnecessary risks to the patient and operator.**

TABLE OF CONTENTS

Foreword

Warranty

Important information

1. Function Description

1.1 General description

2. Operation

2.1 When the patient is being seated

2.2 Connection

2.3 Height adjustment

2.4 Adjusting the backrest

2.5 Adjusting the leg section

2.6 Adjusting the armrests

2.7 The function of the castors

3. Maintenance & Cleaning

3.1 Routine check-ups

3.2 Cleaning

3.3 Lubrication scheme

3.4 Spare parts

3.5 Accessories

3.6 Solutions for lubrication, cleaning and disinfecting

4. Technical specification

4.1 Dimensions

4.2 Motors and control units

4.3 Battery backup

4.4 Labels

5. EU-Declaration of Conformity

6. Contact details

FOREWORD

Welcome as the owner of a product manufactured for Tarsus by Sjöbloms Sjukvårdsutrustning AB. We hope that you will be pleased and satisfied with our quality product.

If a problem should arise with this or any of our products, you are always welcome to contact us, and our service department will assist you with the expertise needed to solve the problem.

The user manual contains all the information needed to use, maintain and service the product. The document is continuously updated as the products are modified. Therefore we reserve against possible changes in the user manual.

WARRANTY

Sjöbloms provides a two-year warranty for material, design and manufacturing defects, provided the products are not subjected to tampering or excessive wear. For the guarantee to apply, the product must have been used in accordance with the user manual, and the maintenance performed as specified.

IMPORTANT INFORMATION

This product is intended for professional medical use. The user manual should be read carefully before using the product, to avoid unnecessary risks for the patient and operator.

The user manual contains warnings where there is a risk of personal injury, which should be noted. Improper handling can be fatal.

A warning triangle is shown where particularly important information can be found.



Warning triangle

1. FUNCTIONAL DESCRIPTION

This product is meant for professional use in health care, for examination of the patient.

It is designed to be a functional and user-friendly tool for the operator and patient.



Note that the product must only be used by competent health professionals who read the user manual, for correct handling.

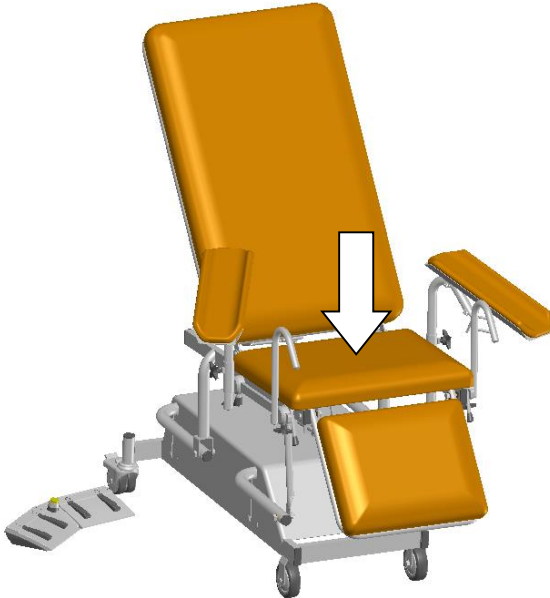
General description

Electrically adjustable blood-sample chair, chromium-plated or coated all-welded steel tube chassis. Backrest electrically adjustable, leg section manually adjustable. The cushions are stuffed with foamed plastic and upholstered with imitation leather. Armrests adjustable by gas spring. Patient hand grips and neck cushion included.

100mm castors at the front, 75mm swivel castors at the back.

2. OPERATION

2.1 When the patient is being seated



For maximum safety, it is important that the staff help the patient to sit correctly in the seat.

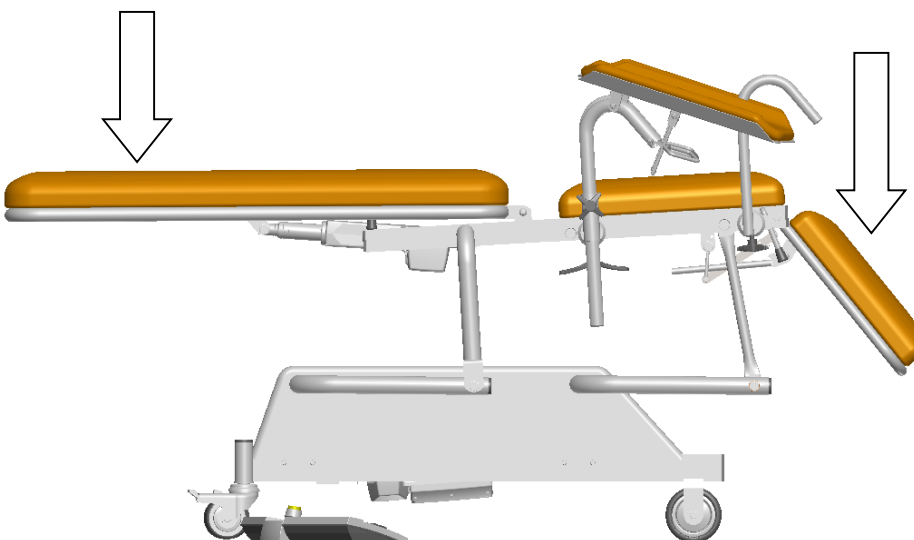
The patient must be seated as shown to the left.

When examining a chair seated in the lap or in front of an adult, the leg section must always be folded down as shown left.

Risk of tipping, if done improperly.

Fold away one of the armrests so that the patient may be seated correctly.

The patient is to get on and off the chair from the side.

**NOTE!**

The patient must not sit on the foot or head end side. Misuse causes a risk of tipping over.

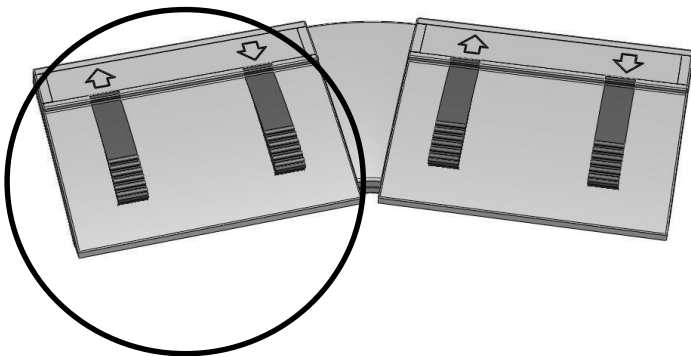
2.2 Connection

The contact should be connected to a grounded 230V outlet. The gynecology chair is now ready for use.

2.3 Height adjustment

Electric, foot control

(included as standard)



Press left to raise the chair.
Press right to lower the chair.

Electric, hand control

(optional)



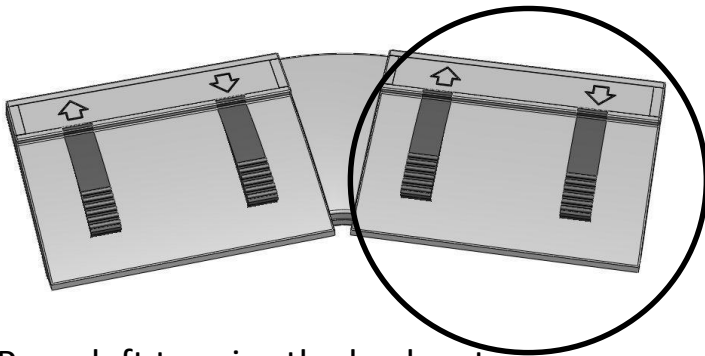
Follow the symbols
and arrows to regulate
the couch.



Ensure that no unauthorized persons are in the couch's working range, as a pinch hazard exists when raising and lowering the product.

2.4 Adjusting the backrest

Elektric, foot control
(included as standard)



Press left to raise the backrest.
Press right to lower the backrest.

Elektric, hand control
(optional)



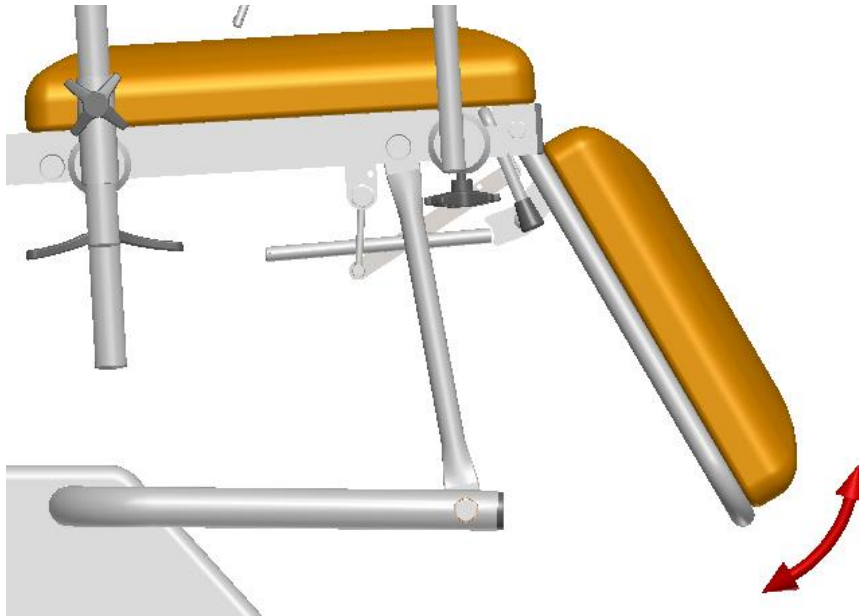
Follow the symbols and arrows to regulate the couch.



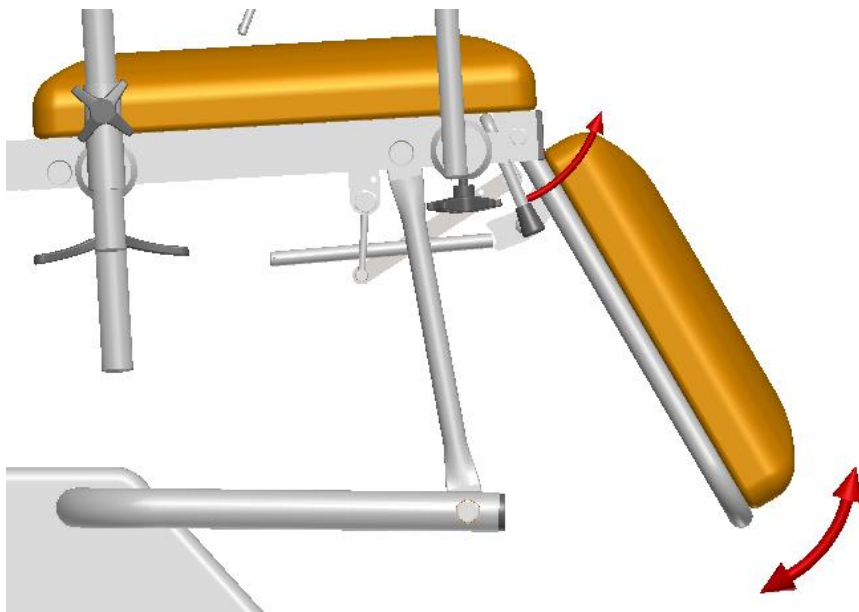
NOTE!

Ensure that no unauthorized persons are in the couch's working range, as a pinch hazard exists when raising and lowering the product.

2.5 Adjusting the leg section



Lift the leg section upwards manually with one hand to reach desired position. Lock in any angle between 0-90°.



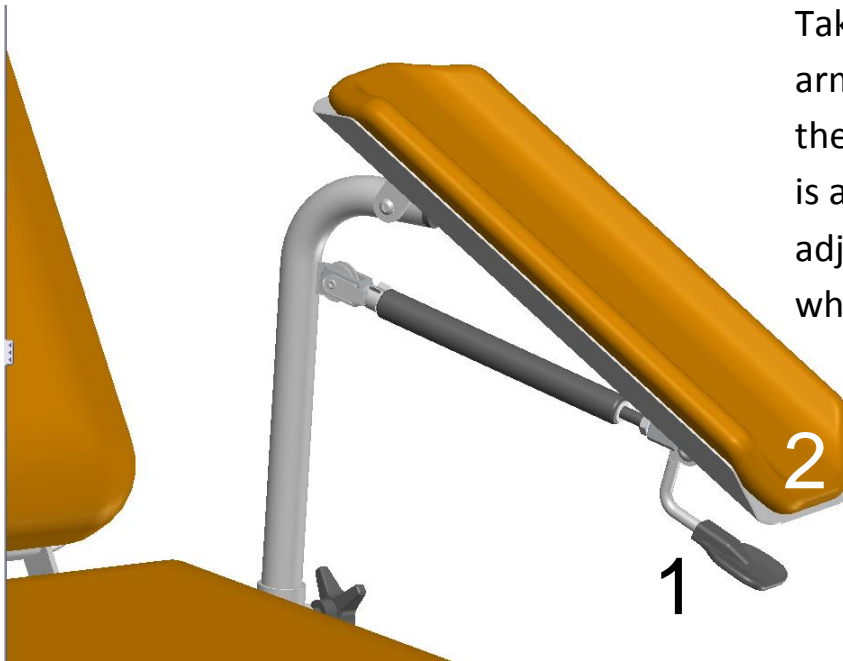
To lower the leg section: hold the front of the pad, and – simultaneously – pull the handle upwards. Lock in any angle between 0-90°.

When the leg section is in desired position, release the handle and the leg section locks in position.

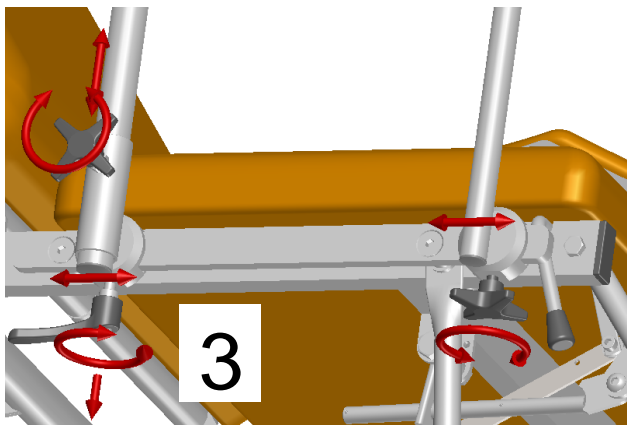
**NOTE!**

It is not ok to sit on the leg section. Risk of tipping.

2.6 Adjusting the armrests



Take hold of the handle (1) and the arm pad (2) with one hand. When the handle is lifted, the gas spring is activated and the armrest is adjustable up and down. Release when desired angle is reached.



To move the armrest along the accessory rail, unwind the lock (3) and move the armrest forwards or backwards.

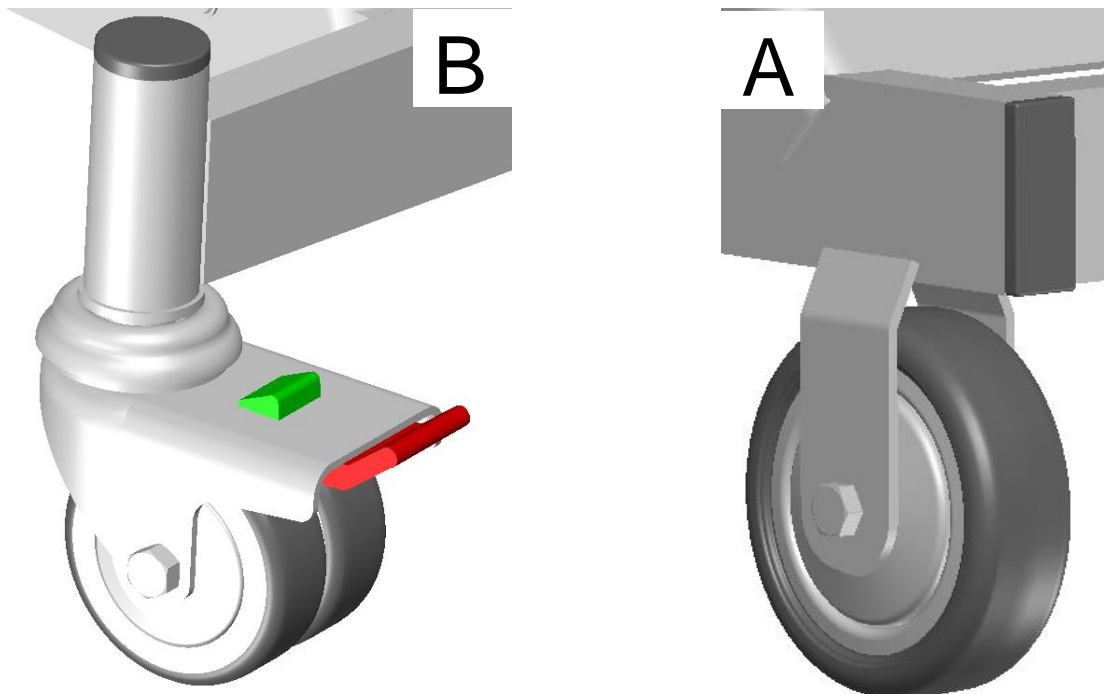
Both the armrests and the patient handles is adjustable along the accessory rails as shown left.



Ensure that no unauthorized persons are in the couch's working range, as a pinch hazard exists when raising and lowering the product.

2.7 The function of the castors

Two 100mm fixed castors at the front (A) and 75mm swivel castors at the back (B).



3. MAINTENANCE & CLEANING

3.1 Routine check-ups

Routine check-ups should be made to ensure proper functionality.



Important!

Failure to perform the following routine can cause the patient and/or operator to be exposed to unnecessary risks and the couch may have a reduced life expectancy. Please check all functions and parts on a regular basis.

Check the following:

- Any unusual sounds.
- Castors and castor locking mechanism.
- Damages to electric cables.
- The motor function.
- That joints and fittings are lubricated according to the lubrication scheme (next page).

3.2 Cleaning

Cleaning of imitation leather

During normal cleaning, warm water and a mild soap solution should be used, or our own “Cleaning solution for artificial leather”, **art no. R-1**. Stronger cleaning agents should be avoided whenever possible.

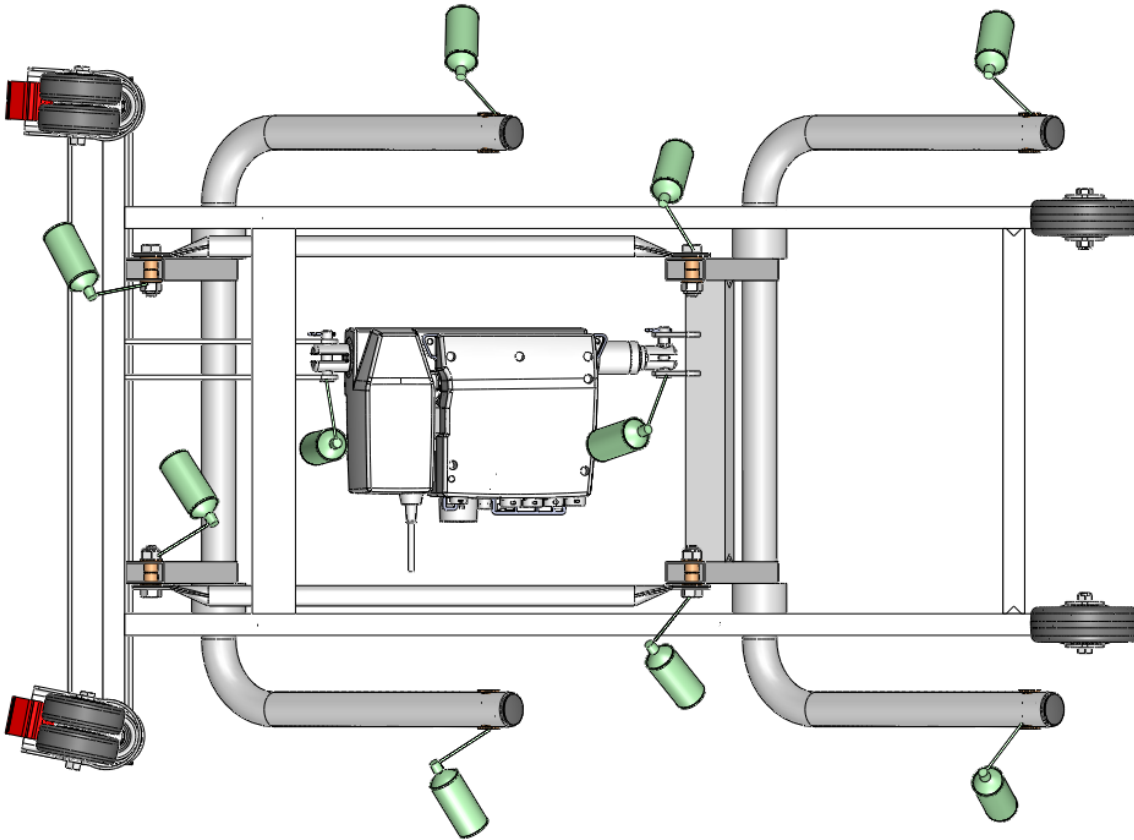
If it nonetheless becomes necessary to use stronger agents, it is important to wipe with a damp cloth.

Disinfection

If the product needs to be disinfected, preferably use a diluted alcohol. Too strong an alcohol solution can have a drying effect, which means that the imitation leather's properties deteriorate and cracks can form.

3.3 Lubrication scheme

Lubrication according to the scheme is recommended to be performed every 6 months or as needed.

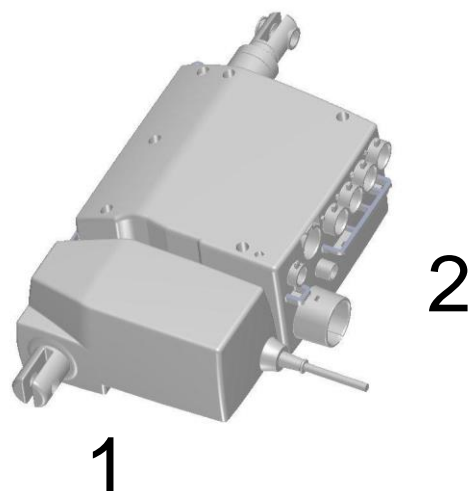


1. First lock the castors.
2. Enlist the help of another person and tip the couch on the side, in order to lubricate the moving joints.

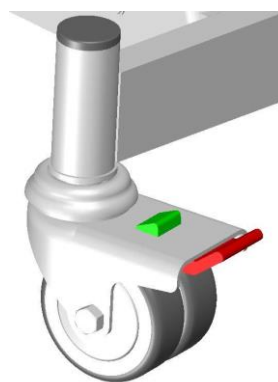
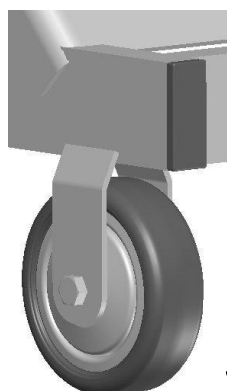
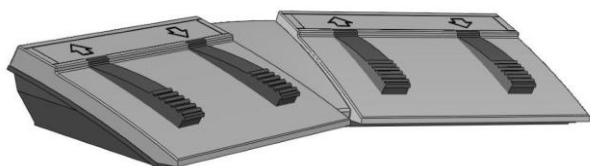
The spray-can above indicates where to lubricate. Use the Tarsus lubrication oil or the equivalent for best results, **article no. 5557001**.



3.4 Spare parts



No.	Art no.	Article
1	343100+0015004A	Lift motor
2	CB9140AE3+00010	Control box
3	312100+3115004C	Backrest motor
4	FS2001	Foot controll
5	10032100000RP	Castor, front
6	7555100102LPZ	Castor, back
7	010-0100	Neck cushion
8	DY1400	Pad armrest



4

5

6



7

8

3.5 Accessories/options

White-coated chassis, Battery backup.

3.6 Solutions for lubrication, cleaning and disinfecting

R-1, Cleaning solution for artificial leather

5557001, Lubrication

C068, Disinfection solution, DAX Plus

Use these or local equivalents.



Cleaning solution



Lubrication



Disinfection

4. TECHNICAL SPECIFICATIONS

4.1 Dimensions

Length: 180 cm

Length backrest: 90 cm

Length seat section: 45 cm

Length leg section: 40 cm

Width: 60 cm

Height: 50-90 cm

Weight: ca 50 kg

Max working load: 160 kg

4.2 Motors and control units

Duty cycle: Max 10% or 2 minutes continuous use followed by 18 minutes not in use

Ambient temperature +5°C to +40°C.

The CARELINE system has full compliance with EN 60601-1.

4.3 Battery backup

(optional)

General

The batteries used in the control unit are sealed lead batteries.

The included power cord should be plugged into an electrical outlet with 230 volts. The charger will recharge the battery in less than 12 hours. The charger can safely be connected for charging for extended periods.

If a battery is not used for a long time, it will gradually lose its stored energy. It is therefore recommended that the batteries are recharged at least 8 hours before usage.

Battery life

Battery life depends on several factors including the extent of discharging. If the battery is discharged too extensively between charges the lifespan will be reduced. Charging as often as possible is recommended.

The built-in buzzer "Charge the battery" that is built into the controller will sound when a discharge of 50% has occurred.

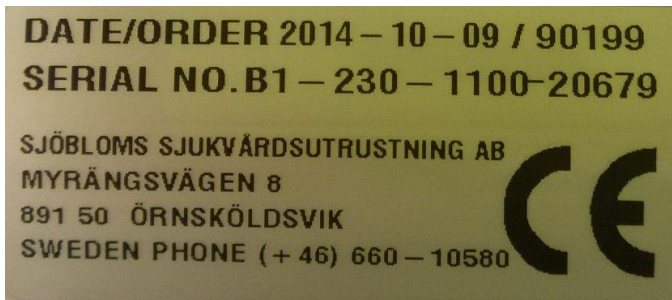
The life expectancy of the batteries is about 500-1200 charge cycles.



NOTE!

When the battery is depleted, the battery should be brought to a battery collection, if applied in your country, to conserve the environment.

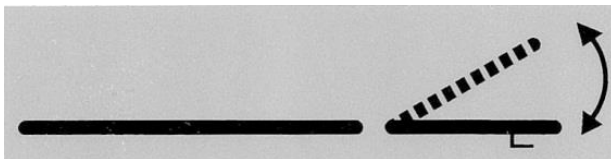
4.4 Labels on the product



The CE label contains the date, order number, serial number and our contact information.



Maximum lift capacity is 160 kg.



Displays the adjustment of the backrest. There is a label on each side of the table.



Displays that you can not sit on the leg section.

5. EU-DECLARATION OF CONFORMITY

EU-DECLARATION OF CONFORMITY

according to MDD 2007/42/EC including Appendix
and according to CE-marking Directive 93/68/EEC

Type of equipment: Blood sample chair, electric

Manufacturer: Sjöbloms Sjukvårdsutrustning AB

Trademark: Tarsus

Model: 010-5050 Product registration number: 16437

Manufacturer

Sjöbloms Sjukvårdsutrustning AB

Myrängsvägen 8

S-891 50 ÖRNSKÖLDSVIK, SWEDEN

Sjöbloms Sjukvårdsutrustning AB ensures that the above products are in accordance with the EU Council MDD 93/42/EEC, as well as the Swedish legislation in force (1993:584) on medical devices and the regulations issued by Medical Products Agency (LVFS 2003:11).

Örnsköldsvik 2011-06-22



Karl-Gunnar Sjöblom

Production Manager

6. CONTACT INFORMATION

TARSUS

Myrängsvägen 8

891 50 Örnsköldsvik

Sweden

Tel: +46 660 105 80

Fax: +46 660 180 00

E-mail: info@tarsus.se

Web page: www.tarsus.eu